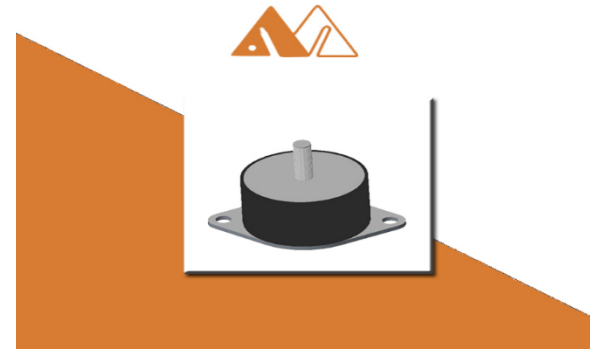


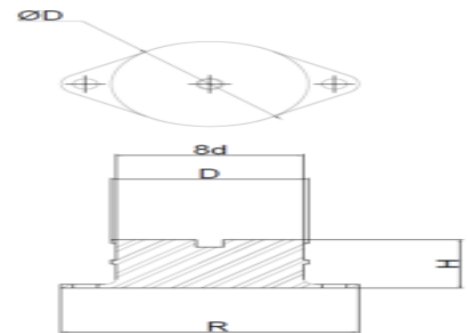
## **Base Mount**

Ahmedabad Moulds Base Mounts are excellent in absorbing mounting in shear and compression shape and obtaining vertical flexibility with the advantage of horizontal stability. It is compact, lightweight, and strength-based metal, which withstands high shock loads without deformation. A special combination of rubber and design gives better isolation against horizontal and vertical vibrations. The durability of rubber mounting is quite high. It is effective in vibration isolation for different types of machines with rotating movements.



### **Applications:-**

- Diesel Engines
- Industrial Generators
- Air Compressors
- Cooling Towers
- Pumps



PRODCT CODE	DIMENSION (MM)					LOAD CAPACITY	MAX STATIC DEFLECTION	BASE PLATE
	OD(D)	OD(d)	THK(H)	CENTER(R)	BOLT SIZE	MIN/MAX PERMOU NT (K.G)		
AMB-112	88.9	85	51	112	M 12*45 MM	250-750	10 MM	EGG TYPE
AMB-92	63	60	35	92	M 12*45 MM	130-600	08 MM	EGG TYPE
AMB-63	50	45	35	63	M 08*40 MM	10-120	06 MM	EGG TYPE
AMBW-112	88.9	85	51	112	M 12 MM THREAD	250-750	10 MM	EGG TYPE