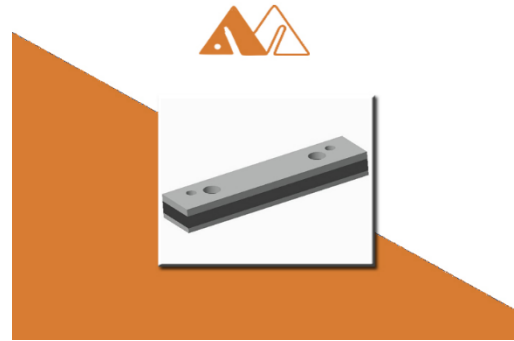


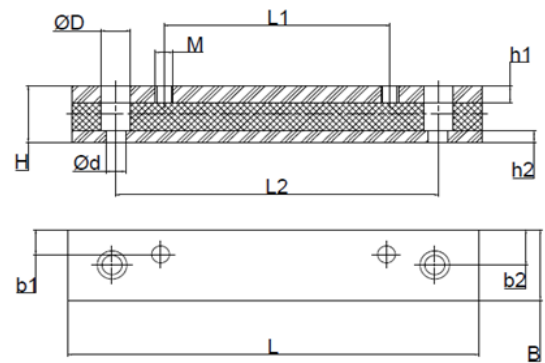
## Damping Rod

Ahmedabad Moulds Damping Rod is excellent absorbing mounting in shear and compression obtaining good vertical flexibility, with the advantage of horizontal stability. It is compact, lightweight, and strong base metal which withstands high shock loads without deformation. The durability of rubber damping rods is quite high. It is most effective on vibration isolation, for different types of machines with rotating movements.



### Application:

- Damping rods reduce the noise level and dampen vibrations
- Well-damping natural rubber vulcanized with steel rods
- No metallic connection from installation to the substructure
- Available from stock all sizes
- Available from stock for all IEC engines.
- Available from stock for bell housings with integrated oil cooler
- Suitable for electric motors.
- Special lengths or special designs on request
- Also suitable for NEMA motors
- Damping rods are made of natural rubber (NR)



| PRODC<br>T<br>CODE | DIMENSION (MM) |     |     |    |      |    |    |    |    |      |    |     | LOAD<br>CAPACITY                 | MAX STATIC<br>DEFLECTION |
|--------------------|----------------|-----|-----|----|------|----|----|----|----|------|----|-----|----------------------------------|--------------------------|
|                    | L              | L1  | L2  | D  | d    | H  | h1 | h2 | B  | b1   | b2 | M   | MIN/MAX<br>PER<br>MOUNT<br>(K.G) |                          |
| DAM-240            | 240            | 185 | 140 | 20 | 13   | 40 | 12 | 08 | 50 | 17.5 | 25 | M12 | 500                              | 01 MM                    |
| DAM-280            | 280            | 225 | 180 | 20 | 13   | 40 | 12 | 08 | 50 | 17.5 | 25 | M12 | 600                              | 01 MM                    |
| DAM-325            | 325            | 265 | 200 | 26 | 17   | 60 | 15 | 15 | 70 | 25   | 35 | M16 | 900                              | 01 MM                    |
| DAMP-280           | 280            | 220 | 154 | 20 | 13.5 | 40 | 12 | 08 | 50 | 17.5 | 25 | M12 | 600                              | 01 MM                    |

