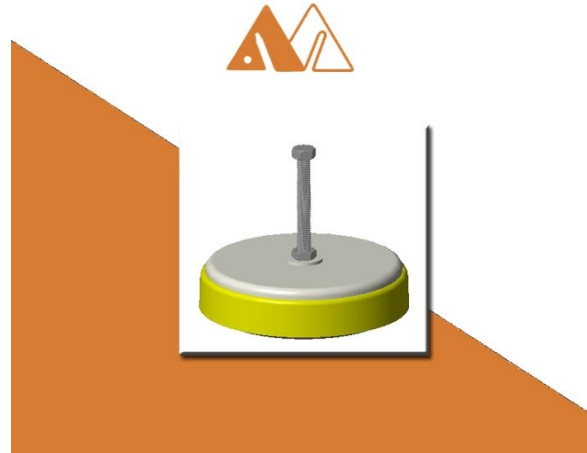


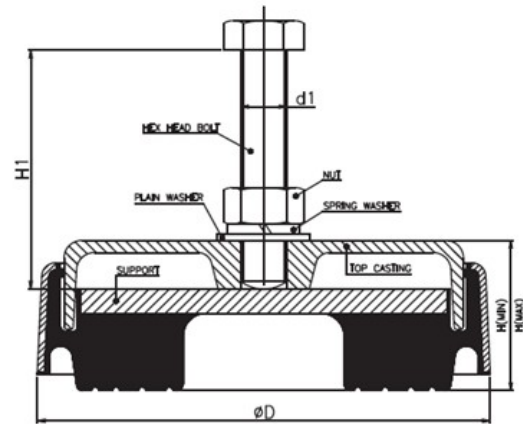
Heavy-Duty Mount

The Ahmedabad Moulds series of Vibration damping and leveling mounts provide fast and easy installation of machines. AM series Anti-vibration mounts have a steel body on the outside part or side and the upper part of the body has casting iron. This leveling mount has a cover plate and dimpled bottom plate holding the insulation plate. Leveling is done by tightening the bolt which lifts the cover plate with the machine foot. The vibration insulating Base pad is made of composite material at varying compositions giving different natural frequencies to provide vibration damping solutions to all types of industrial machines. These vibration isolation plates are resistant to water, almost all the coolants, chemicals, fuels, lubricating oils used in the modern machine shop. These vibration insulating machine pads will not deform plastically if the weight of the machine does not exceed the maximum load value of the insulation plates.



Applications:-

- Plastic Injection Molding Machines
- Extrusion machines
- Milling machines
- Blow molder machines
- Lathes
- Printing Press
- Punch Press
- Packaging Equipment
- Electronics Equipment
- Packaging Machinery



TYPE	LOAD		DIMENSIONS(MM)				Range of Adjustment(mm)
	MIN (KGS)	MAX(KGS)	OD(D)	H	A		
AMH-07	1300	2000	130	56	M12*1.5P(80)	M16*1.5P(80)	18
AMH-08	3500	5000	200	68-72	M20 * 1.5P(105)	M24 * 2P(105)	23

•