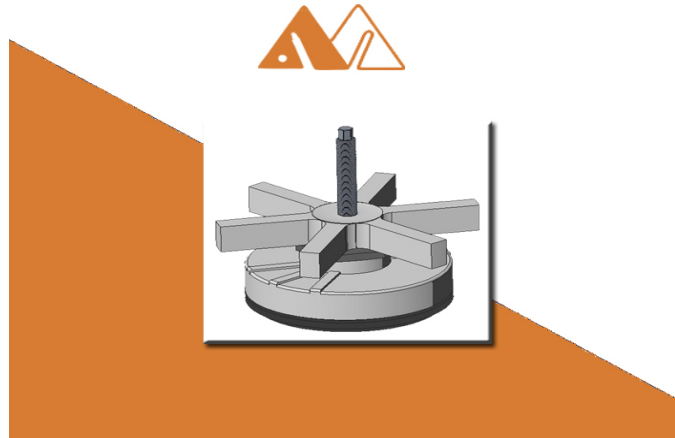


Jack leveling Mount

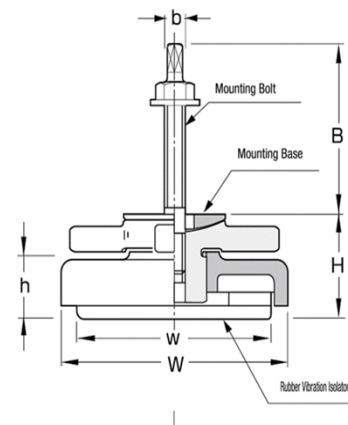
Ahmedabad Moulds level pad is a vibration isolation table with a highly reliable design that has a wide range of leveling functions. It is ideal for the stable installation of equipment and it also demonstrates excellent vibration-proofing and soundproofing effects. It suppresses vibrations and the noise transmitted to the floor and



contributes to the advancements for the precision and long term life of the equipment. Since the vibration-proof rubber is split into three segments: vibration-proofing can be carried out, the vibration-proof rubber can be replaced, vibration-proofing effects can be enhanced by doubling the layer of rubber. A universal washer (spherical washer) is used for the attachment base, which will horizontally support machinery even on tilted floors (allowable slope angle is 3 degrees). Level adjustments can also be performed easily with the cross-shaped handle.

Applications:-

- Plastic Injection Moulding and Machines
- Extrusion Machines
- Lathes Machines
- Milling Machines
- Blow Moulder Machines
- Drilling Machines
- Printing Press
- Screw Machines
- Punch Press Machines
- Packing Machines



TYPE	LOAD		DIMENSIONS(MM)			Range of Adjustment(mm)
	MIN(KGS)	MAX (KGS)	OD(W)	H	A	
AMJ-06	800	1600	126	70	M16 * 80	14
AMJ-05	2100	2800	160	95	M16 * 80	21
AMJ-09	3000	5000	205	110	M20* 80	23