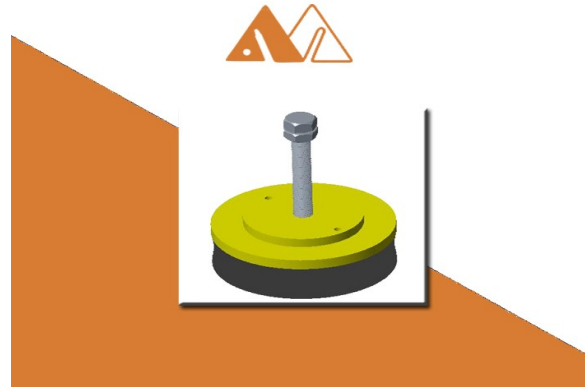


Round Leveling Mount

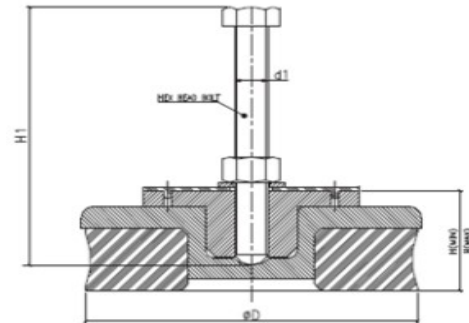
The Ahmedabad Moulds Round mounts are ready to use for Workshop Machineries. There is no need for foundation Bolt, grouting, anchoring, etc. It is very fast for the installation of any workshop Machinery. A height adjustment & precise leveling features are provided. It will provide excellent mobility of machinery layout in the workshop. It insulates high-frequency vibration, sound and prevents wandering of machinery due to large areas of contact with the floor and keeps the machinery in position firmly. It safeguards the surroundings of installed machines from shocks and impacts of installed machinery.



These mounts are used in all places where you need safe machine installation without floor anchorage. It is beneficial for working performance, working conditions in the adjacent premises, such as offices and laboratories, is enormously improved.

Applications:-

- Punching Machine
- Presses
- Injection Moulding Machine
- Lathe and CNC lathes
- Precision Machine



TYPE	LOAD		DIMENSIONS(MM)			Range of Adjustment(mm)	
	MIN(KGS)	MAX (KGS)	OD(D)	H	A		
AM-01	400	600	80	46	M12*1.75P(80)		12
AM-02	900	1600	120	46	M16 * 2P(80)	M16 * 2P(120)	14
AM-03	2000	3000	160	58	M16 * 2P(80))	M20 * 2.5P(90)	15
AM-04	3400	5000	200	62	M24 * 3P(100)	M24 * 3P(140)	23